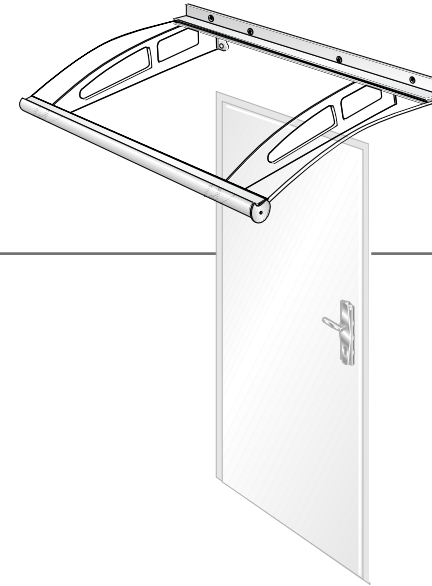




Assembly Instructions
Montageanleitung
Instructions de montage

Aquila 1500 E/F/G

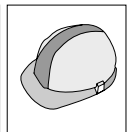
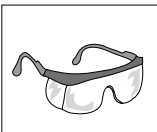
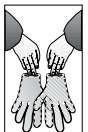
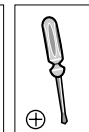
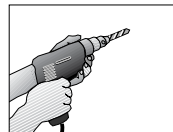
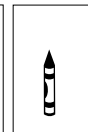
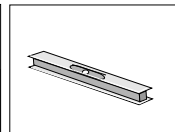
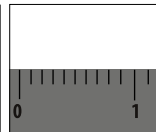
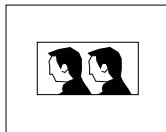
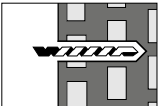
150x91.8x16cm / 59"x36¹/₄"x6¹/₂"



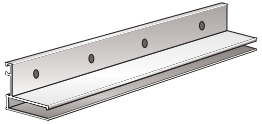
ø11 mm / ø8 mm



ø10 mm / ø8 mm



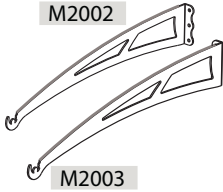
Contents



A1000 x 1

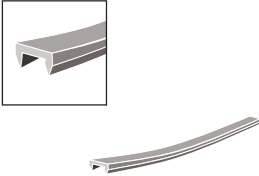


R3005 x 1





M2002
M2003

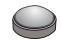
M2002 x 1
M2003 x 1



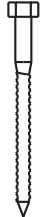
P3022 x 2

4020 x 6
ø8mm

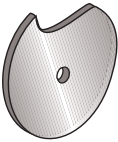


P5000 x 6

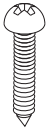


4010 x 6
ø10 x 80mm
ø3/8 x 3.15"

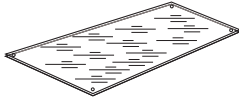
4000 x 6
90mm




A1003 x 2




450 x 2
ø5 x 32"
ø.25 / 1.25"




P3000 x 1 150 x 90cm
59" x 35.4"



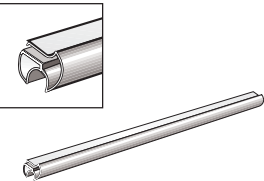
R3004 x 2 150cm
59"



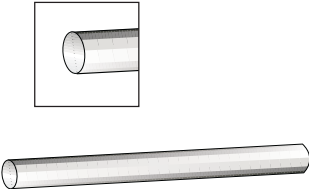
4009 x 4
ø8 x 40mm
ø5/16 x 1.57"



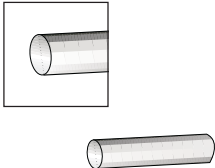
4006 x 4
ø5 x 50mm



A1002 x 1



A1018 x 1



A1019 x 2

