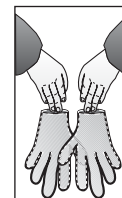
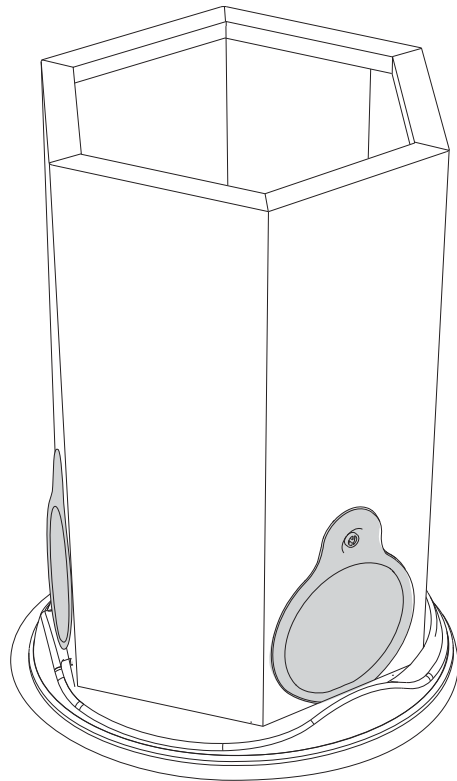




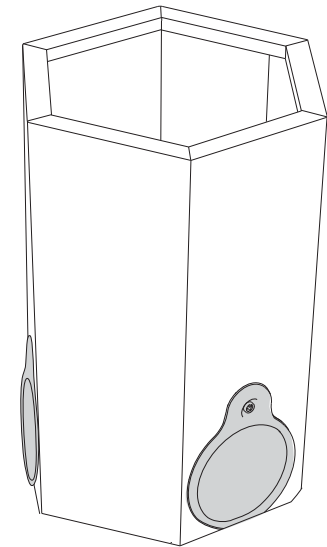
# Potato Planter

## Assembly & Planting Instructions

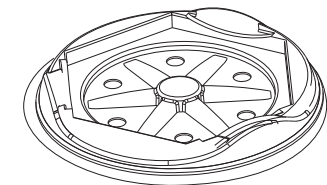
---



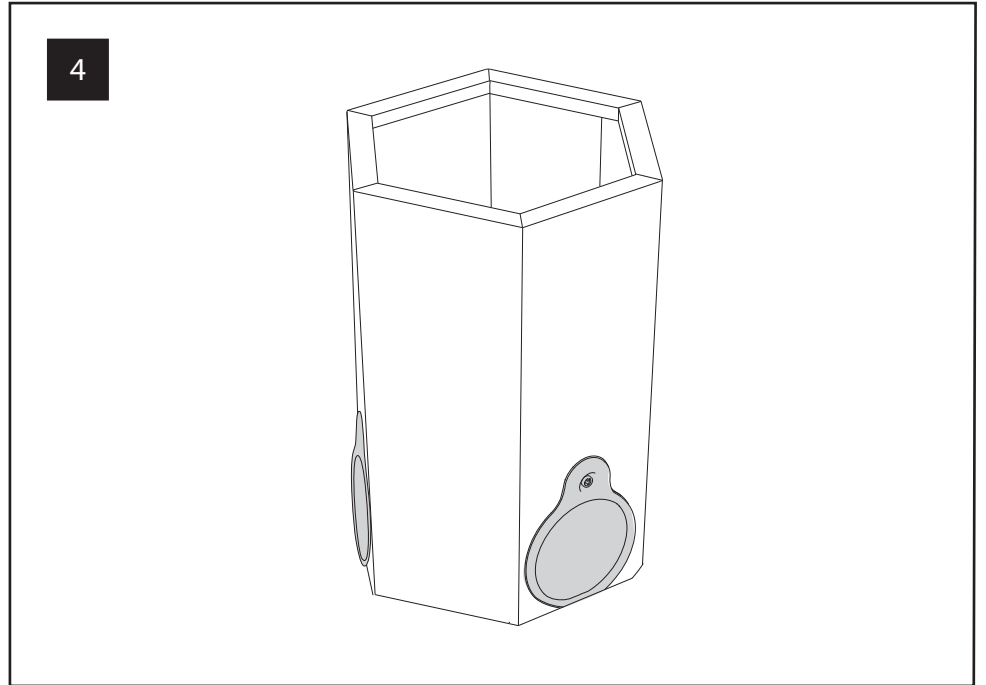
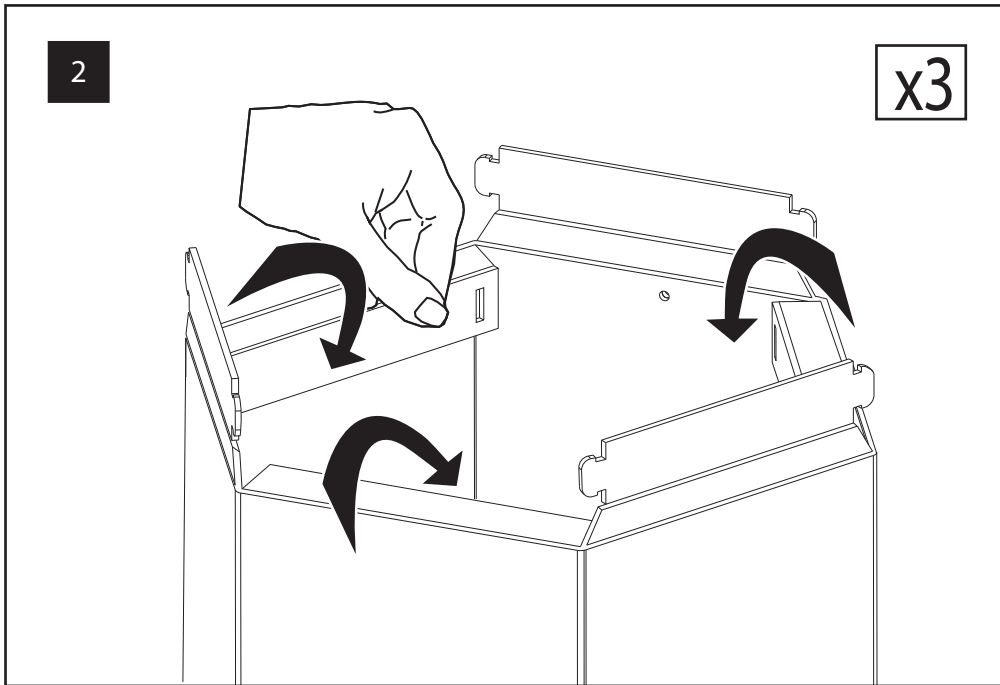
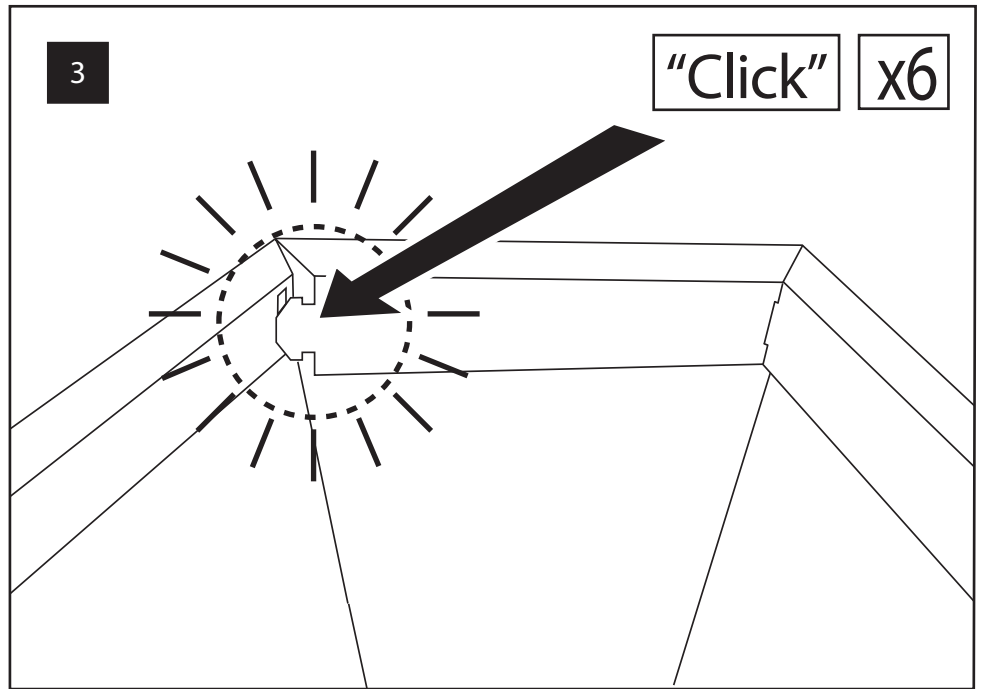
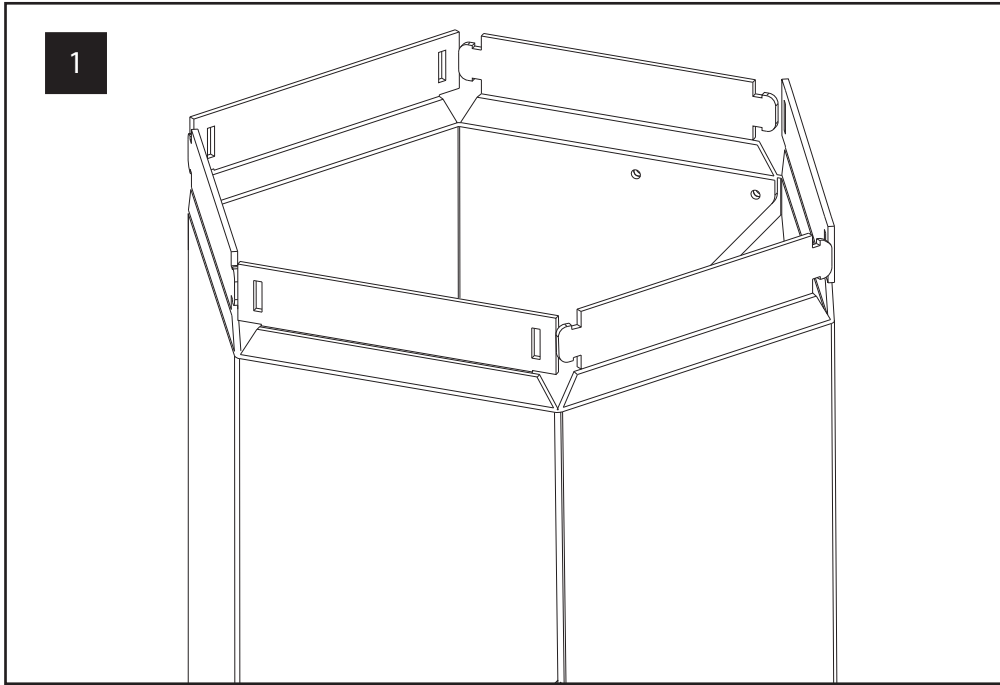
### Contents



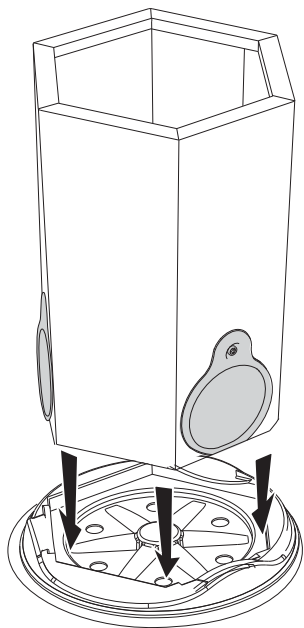
potato plantr body x1 pcs.



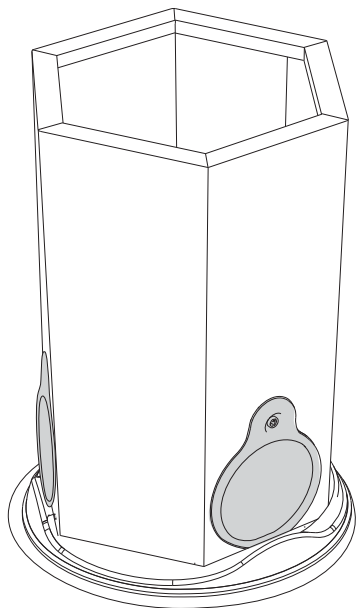
potato plantr base x1 pcs.



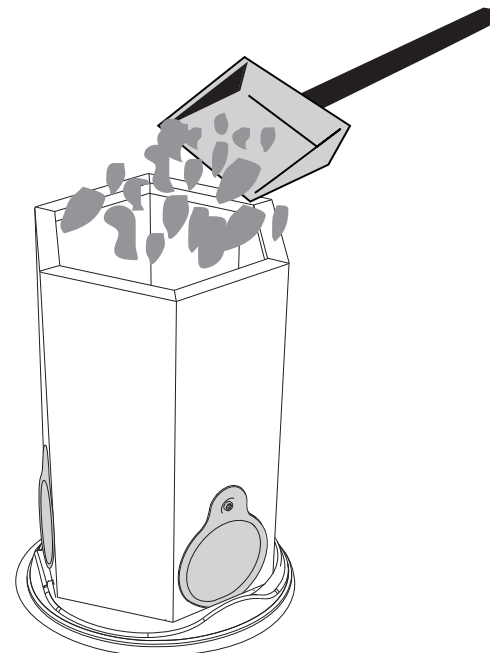
5



6



7



x2

8

